

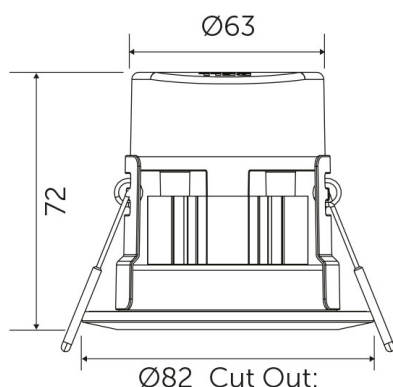
Fittings / Downlights

7W Firestay LED CCT Downlight - Dimmable, 3 Way CCT, 40°



The Firestay LED CCT 3 way colour switch downlight is one of our flagship products. Colour selectable as standard with a 7 year guarantee, the Firestay LED CCT downlight is a market leader when it comes to downlights. The front facing switch enables the user to seamlessly change the colour temperature to suit the mood of any space.

Technical Specification



Product Code	08187
---------------------	-------

Reference

Guarantee	7 Years
EAN	5013588081878
Commodity Code	94054099
Country Of Origin	CN
UNSPSC Code	39111515

Technical Specification

Volts (V)	220-240
Watts (W)	7
Colour Temp (K)	3000/4000/6000
Dimmable?	1
Lumens (lm)	550-600
Candelas (cd)	660
Life Hours	50,000
Beam Angle	40°
CRI (Ra)	85
Switching Cycles	10,000
Frequency (Hz)	50/60
Energy Consumption (kWh/1000h)	7
IP Rating	IP65

Dimensions

Width (mm)	63
Depth (mm)	72
Diameter (mm)	82
Downlight Cut Out (mm)	65

Packaging Information

Single Carton Height (mm)	9
Single Carton Width (mm)	9.7
Single Carton Depth (mm)	9.7
Single Carton Weight (KG)	0.321
Individual Volume	0.00085
Inner Box Qty	10
Inner Box Height (mm)	51
Inner Box Width (mm)	21
Inner Box Depth (mm)	11
Inner Box Weight (kg)	3.6
Outer Box Qty	20
Outer Box Height (mm)	52.5
Outer Box Width (mm)	22.5
Outer Box Depth (mm)	23.5
Outer Box CMB	0.02776